

Drawing



Hendi B.V.  
 Steenoven 21  
 3911 TX Rhenen  
 The Netherlands

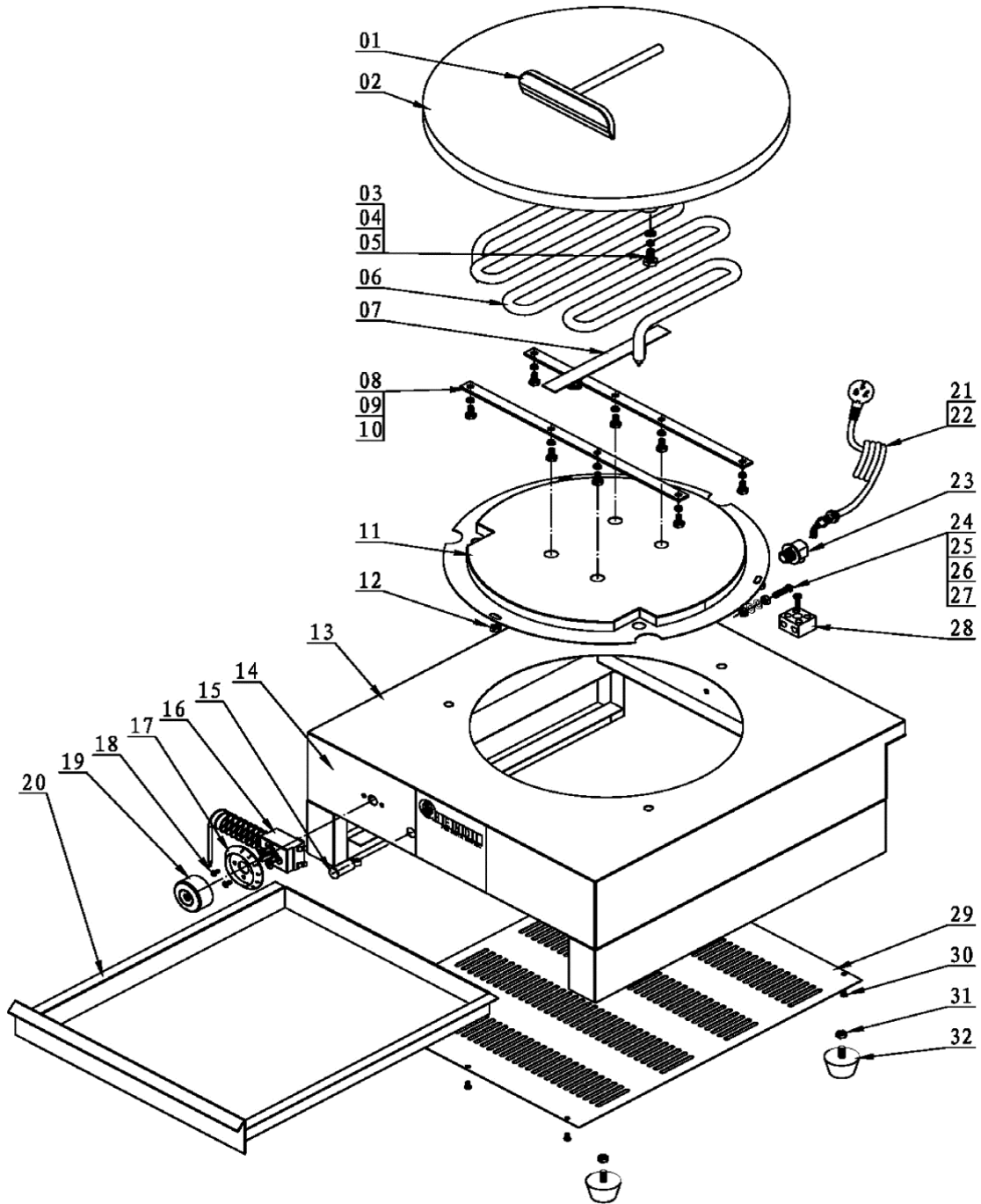
Batch #  
 0000000

Appliance part#  
 212004

Description


Crepe Maker

Date	10-02-2015	Revision #	Revision version
Revision	First bill of materials (BOM)		





**Circuit diagram**

 <b>Hendi B.V.</b> Steenoven 21 3911 TX Rhenen The Netherlands	<b>Batch #</b>	<b>Appliance part#</b>
	0000000	212004
	<b>Description</b>	
	Crepe Maker	

<b>Date</b>	10-02-2015	<b>Revision #</b>	Revision version
<b>Revision</b>	First bill of materials (BOM)		

**Electrical Diagram for Single Head Crepe Maker 212004**

